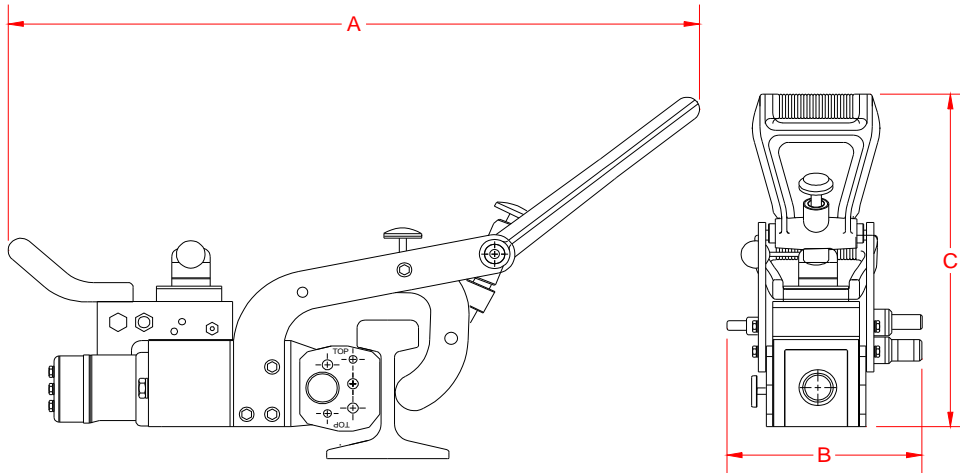


**03500
 SELF FEED RAIL DRILL**

The Matweld Self Feed Rail Drill is a light weight maintenance tool that offers cost effective operator. Maintenance crews will appreciate the simple clamp for quick set-up on track. The use of Arrowhead inserts (patented), allows for quick drilling time and precision holes. The drill includes a lubrication system.



FLOW	PRESSURE	DIMESIONS	WEIGHT
10 GPM (38 LPM)	2000 PSI (140 BAR)	A - 35" B - 9" C - 15-1/2"	66 lbs. (30 kg)

Accessories:

03532
 01540
 03598

RAIL TEMPLATES - (SPECIFY RAIL PROFILE)
 INDEX BARS - (SPECIFY RAIL PROFILE)
 STORAGE CASE

MATWELD, INC.

PHONE:(270) 444-0085

FAX:(270) 443-6180

Matweld reserves the right to change parts, features, or specifications without notice.