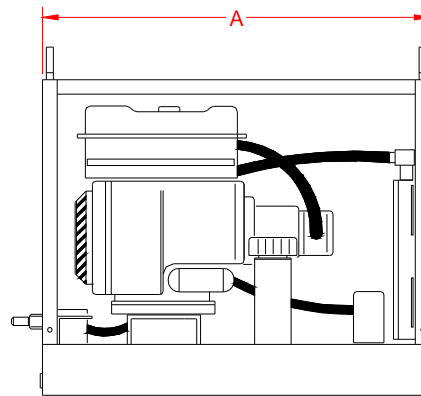
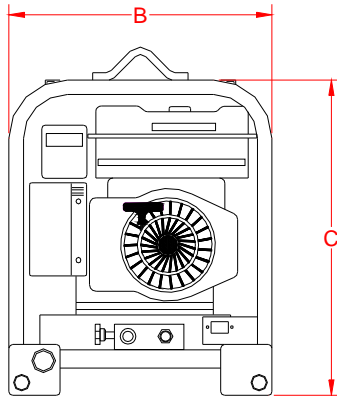


**02050K 5 gpm
 POWER UNIT**

The Matweld Single Circuit Power Unit is designed to deliver 1-5 gpm circuit. It is perfect for small jobs. Designed for inspection vehicles where size and weight are primary concerns.



ENGINE	HYDRAULICS	DIMENSIONS	WEIGHT
9 hp Kohler Fuel: gasoline Start: electric w/pull start	1-5gpm (19 lpm) 2000 psi (140 bar)	A - 27-1/2" B - 18" C - 26"	165 lbs. (75 kg)